

**EVALUATION STUDY ON THE
ENVIRONMENTAL IMPACT**

**ECOLOGICAL
INCINERATION SYSTEM
INSIDE ROMPETROL
RAFINARE S.A.**

CONSTANTA COUNTY



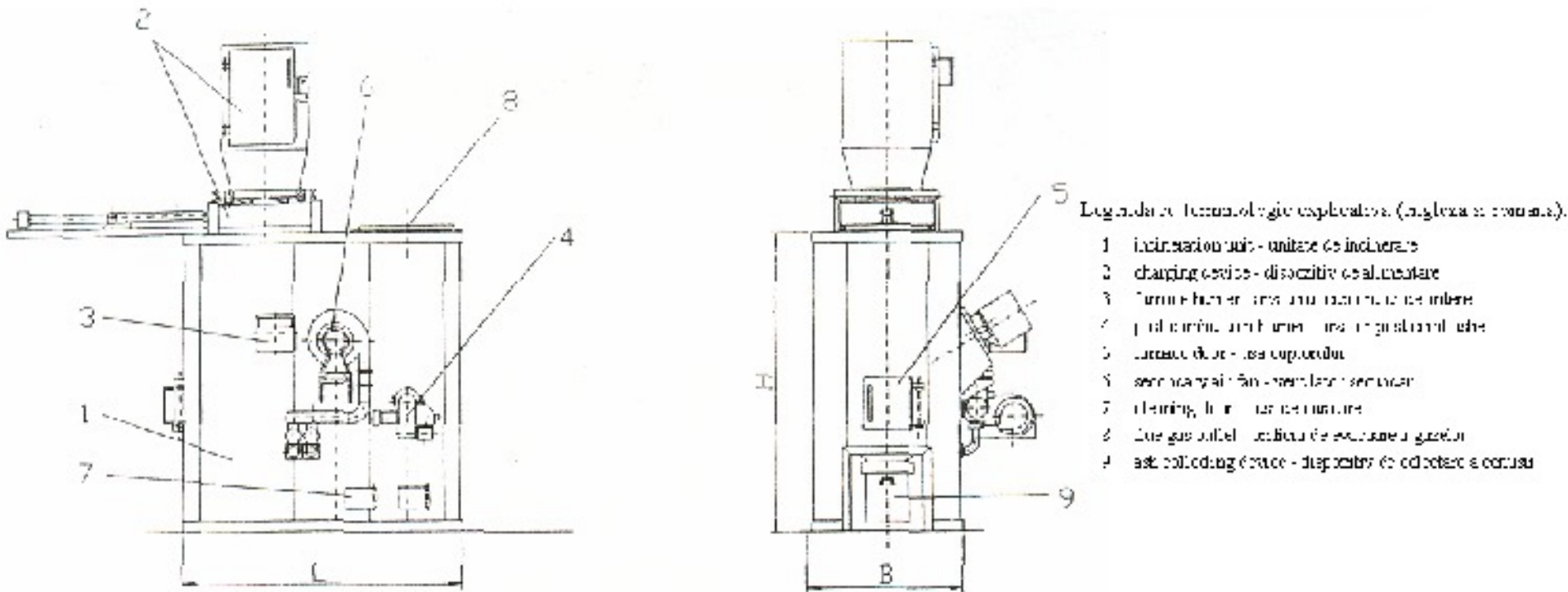




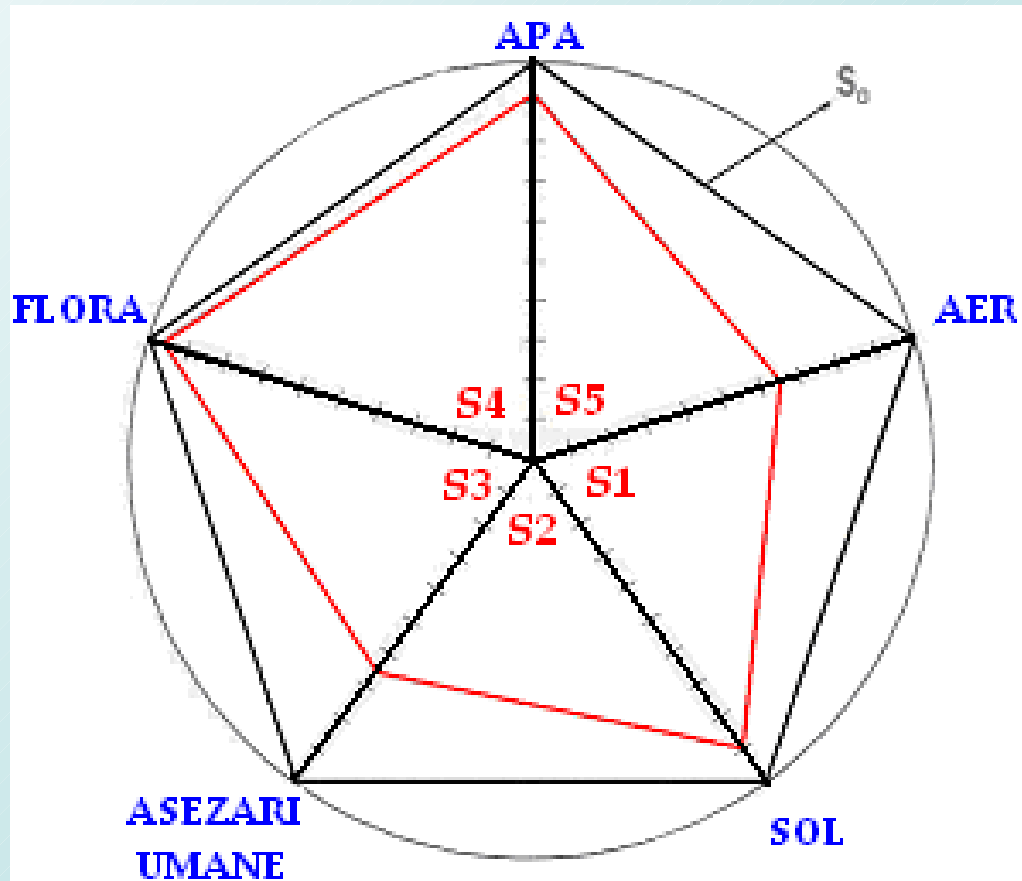
Incineration Unit

The Ruppmann Incineration Unit is conceived as a compact incinerator with a thermo resistant coating (see figure above). By its functional principle, warm waste is reduced to a minimum (under 2-5% of its original volume), which leads to a reduction in operational costs, for example reduced energy consumption for the burning process. In addition, as a consequence of this principle, this system is used as a closed system.

Main conception of the incineration unit.



CALCULATION OF THE GLOBAL POLLUTION COEFFICIENT



$$IPG = \frac{S_0}{\sum_{i=1}^5 S_i} = \frac{152,169}{99,488} = 1,529$$